

VERTICAL FLOAT SWITCH WITH TEMPERATURE INDICATOR

..... for OEMs

PRINCIPLE:

These instruments consists of non-abrasive Float carrying permanent magnet and non-ferrous stem carrying one or two reed switches and Solid state temperature transducer. The float glides along the stem and when the float nears the vicinity of reed switch the magnetic field of permanent magnet forces the reed contact to close, thereby completing the external electrical circuit. Temperature transducer converts the temperature into low level electronic signals which are amplified and temperature is displayed in engg. units in the enclosure.

APPLICATIONS:

Due to its simple design, reliability and with only one moving part i.e., magnetic float, it finds applications in various liquids where accurate and repeated liquid level control & temperature control is called for.

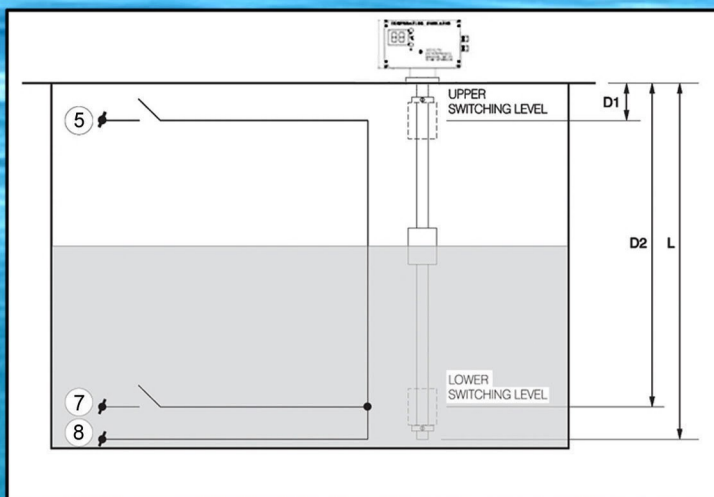
However the float switches do not work satisfactorily in highly contaminated liquids and liquids with high viscosity.

These types of float switches are suitable for centralised lubricating systems and hydraulic oils for machine tools, printing packing, textile and special purpose machines.

CONSTRUCTION:

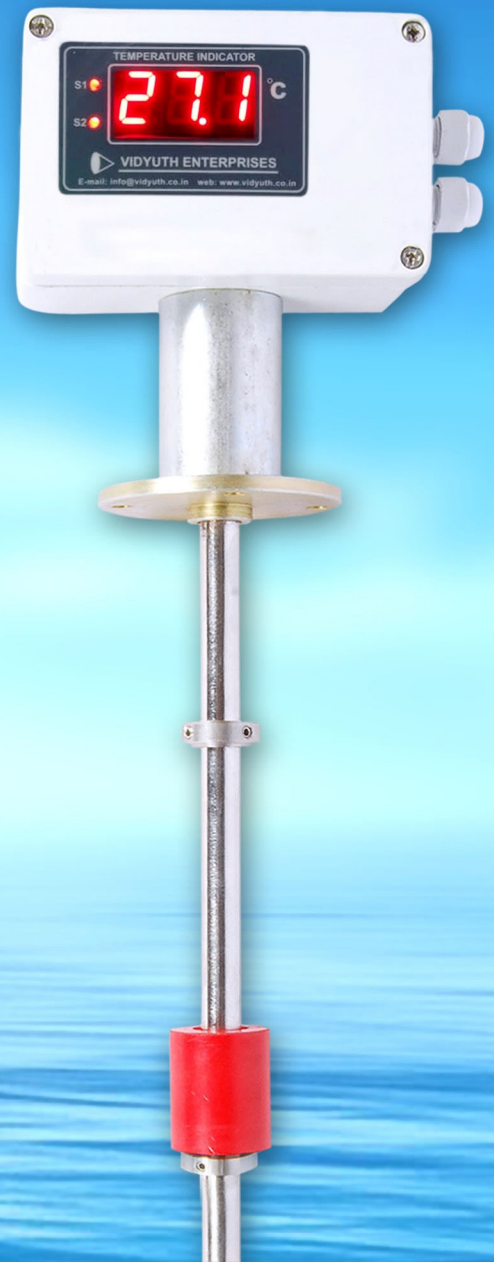
These instruments incorporate SS 304 Stem & Stopper, Polyurethane foam float, mild steel flange and IP 55 Protected ABS enclosure.

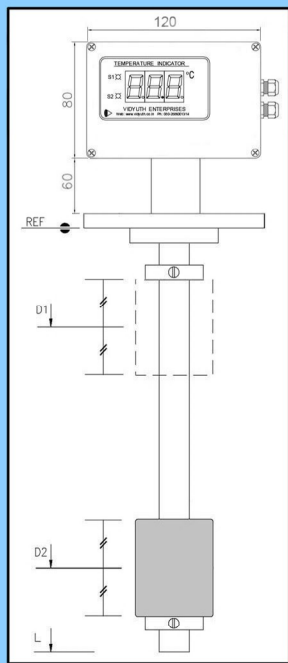
SWITCHING ACTION:



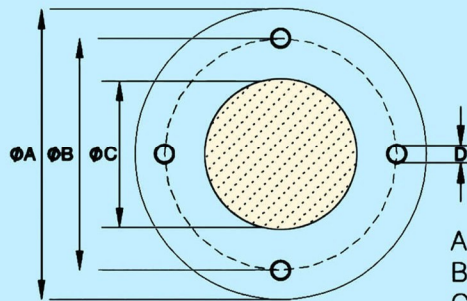
Terminal 5 - 8 To Close on Raising Liquid Level
At D1 (Min 50mm)

Terminal 7 - 8 To Close on Falling Liquid Level
At D2 (Max L-50mm)





CUTOUT AND MOUNTING DETAILS :



| | |
|---------------------------|--------|
| A - Flange OD | : 75mm |
| B - Flange PCD | : 60mm |
| C - Mounting Hole on Tank | : 38mm |
| D - Tapped Hole | : M5 |

: 2mm Thick gasket will be supplied.

TECHNICAL SPECIFICATION :

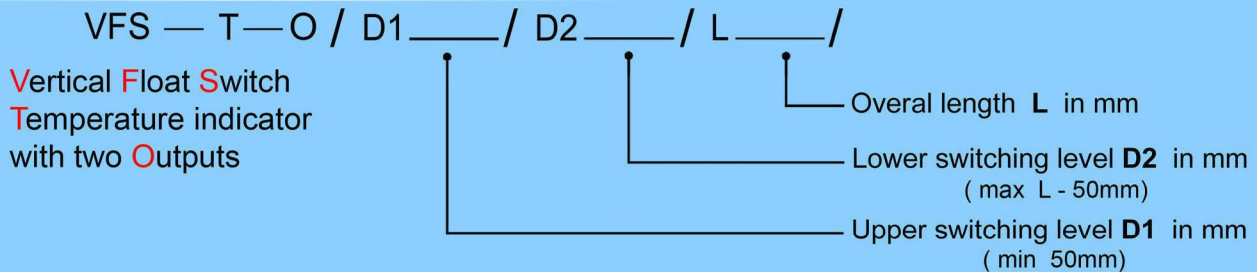
For Vertical Float Switch:

- | | |
|---------------------------------------|-------------------------------------|
| 1. Minimum Specific Gravity of Liquid | : 0.75 |
| 2. Density of Float | : 0.6 + 5% |
| 3. Minimum distance between Levels | : 75mm |
| 4. Repeatability | : 1.5mm |
| 5. Maximum Switching Hysteresis | : 3mm |
| 6. Maximum Temperature | : 100°C |
| 7. Maximum Pressure | : Atmospheric |
| 8. Maximum Error | : ± 1mm |
| 9. Electrical Details:- | : Max. Switching Voltage : 30 V DC. |
| | : Max. Switching current : 0.5A. |
| | : Contact VA : 10VA. |
| 10. Terminal Details | : 5 - D1, 7- D2, 8- Common |

For Temperature Indicator :

- | | |
|------------------------------------|--|
| 1. Indicating range | : 0.1°C ~ 99.9°C in 0.1°C step |
| 2. No. of out put | : Two, programmable for set point & differential |
| 3. Output type | : PNP / NPN |
| 4. Max. Output current | : 200mA. |
| 5. Input voltage range | : 24V DC ± 5% |
| 6. Output short circuit protection | : Provided. |
| 7. Reverse polarity protection | : Provided. |
| 8. Max. Error | : 0.25% ± 1 Least Count. |
| 9. Terminal Details | : 1: 0V, 2: 24V DC, 3: O/P1, 4: O/P2 |

ORDERING INFORMATION :



since continuous development is our policy, the above specification and details may change without prior notice

CT-007/VFST/01-19/R 01

VIDYUTH ENTERPRISES

#387/41, Bikasipura Main Road, Yelachenahalli,
(Near Delhi Public School) Bangalore - 560062.
Ph : 080-26860013/14, 26861056 - Mob : 9886715952
email : info@vidyuth.co.in - manufacture@vidyuth.co.in
web : www.vidyuth.co.in

